

## Loop Powered Indicator

Model 210



### Features

- No external power required
- Large, easily read LCD display
- Intrinsically safe approved
- Field or panel mounting
- Watertight to IP67 (Nema 4X)
- Field scalable
- Self-adhesive engineering unit labels
- CE Compliant



### Overview

The 210 Loop Powered Indicator measures the current of a 4-20mA loop and provides a digital display of the process variable directly in engineering units. The indicator is powered by the 4-20mA loop and requires no external power.

Two potentiometers inside the instrument enable the Span and Zero to be scaled and a DIP switch enables the decimal point position to be selected.

### Field mounting by design

The 210 indicator is fully watertight to IP67 (Nema 4X) standards. It is designed for field mounting with a wall mount bracket supplied as standard. A pipe mount bracket is optionally available.

For use in hazardous areas the Model 210i is ATEX certified, and CSA<sub>US/C</sub> certified for both the USA & Canada.

### Large LCD for easy reading

The 210 incorporates a large, easily read, 4½ digit display. The measurement resolution is 3½ digits and a trailing "0" can be switch selected for applications requiring 4½ digits.

Each indicator is supplied with a sheet of self-adhesive engineering unit labels. A recess, adjacent to the display, is provided for the correct label to be placed.

Applications include the display of flow rate, temperature, pressure and a wide range of other signals transmitted over a 4-20mA interface.

# Specifications



## General

### Input Current

Range: 4-20mA dc.  
 Maximum: 100mA dc.  
 Minimum: 3.8mA dc.

**Loop Voltage Drop:** 3.8 Volts @ 20.0mA.

**Display:** 17.8mm (0.7") high 3½ digit LCD with trailing zero (4½ digits) and decimal points switch selectable.

**Display Update Rate:** 0.5s.

**Under-range Indication:** < -999 displays as "-1".

**Over-range Indication:** > +1999 displays as "1".

### Calibration Range

**Zero (4mA):** Adjustable from -1999 to 1000.

**Span (20mA):** Adjustable from 200 to 19990.

*Note: Span and Zero are adjusted by 10 turn potentiometers in 3 ranges.*

**Accuracy:** ±0.2% of span counts, ±1 count.

**Operating Temperature:** -10 to 70°C.

**Engineering Units:** Self-adhesive labels are provided for the following units: Hz, litres/m, litres/hr, litres, gal/m, gal/h, gallons, kg/m, kg/hr, kgs, lbs/m, lbs/hr, °F, °C, Watts, Bar, kPa, psi.

**Protection:** IP67 (Nema 4X) watertight.

**Cable Entry:** By cable glands.

### Mounting

**Standard:** Wall mount bracket supplied.

**Optional:** Pipe mounting - a galvanised metal bracket enables the 210 to be attached to a 2" vertical or horizontal pipe.

**Materials:** The enclosure is an ABS and polycarbonate mixture.

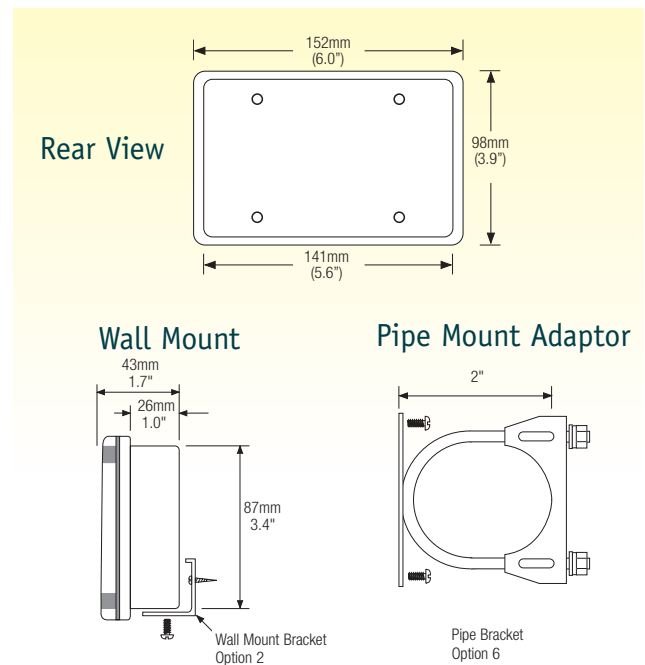
## Hazardous Area Approval

- ▶ **ATEX Approval** II 2G EEx ia IIB T6.
- ▶ **CSA<sub>US/IC</sub> Approval** LR104840-4.  
Class 1, Groups A, B, C & D.

**Input Parameters:**  
 U<sub>i</sub> = 28V  
 I<sub>i</sub> = 93mA  
 P<sub>i</sub> = 650mW

Input capacitance and inductance are negligible.

## Dimensional Diagrams



## Product Codes

Product Codes			
<b>210</b>	•		<b>Loop Powered Indicator</b>
<b>Intrinsic Safety</b>	i		Intrinsically safe Not intrinsically safe
<b>Enclosure and Mounting</b>	0 2 6		Wall Mounting (no gland holes) Wall Mounting (Standard glands) Pipe Mount
<b>Hazardous Approvals</b>		C M S	CSA US and Canadian Approval ATEX Approval SAA Australian Approval No Approvals

*Important: Specifications are subject to change without notice.*

[www.contrec.com.au](http://www.contrec.com.au)

### Contrec Pty. Ltd.

22 Hall Street, Hawthorn East  
 Melbourne 3123 AUSTRALIA  
 Tel: +61 3 9804 4200 Fax: +61 3 9822 8329  
 Email: sales@contrec.com.au

### Contrec Europe Limited

PO Box 436 Sowerby Bridge  
 West Yorkshire HX6 3YA, UK  
 Tel: +44 1422 829 940 Fax: +44 1422 829 941  
 Email: sales@contrec.co.uk

### Contrec - USA, LLC

916 Belcher Drive, Pelham AL 35124 USA  
 Tel: (205) 685 3000 Fax: (205) 685 3001  
 Email: contrec@contrec-usa.com