

Application FO01

Open Channel Flow Computer

for Frequency Flowmeter and
Analog Level Sensors



Features

- Tailored for frequency flow input with analog level multiplier for open channel
- Selection of various channel shapes
- Selection of second language and user tags
- RTC logging with up to 100 entries at user-specified scheduled times
- Programmable pulse width and scaling of pulse output
- 4-20mA retransmission
- RS-232 and RS-485 (optional) serial ports
- Modbus RTU, Printer and other serial port protocols
- Front panel adjustment of 8-24V DC output voltage
- Backlit display



Overview

The 505 FO01 application measures the flow of fluid in an open channel by using a frequency flowmeter with a velocity proportional output and an analog level input. The level input in conjunction with entered dimensional parameters is used to determine the cross-sectional area of the fluid in the channel.

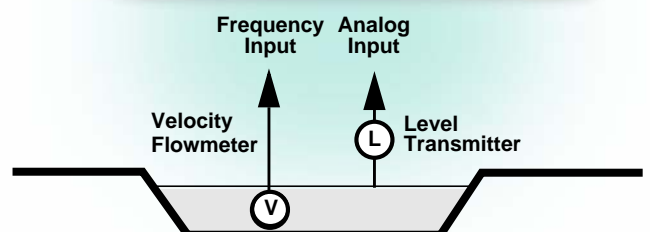
Several channel types are catered for including: Rectangular, Triangular, Trapezoidal, Circular and Half-round. Flow can also be measured in other channel shapes with a Non-linear selection that allows the level input to represent the actual cross-sectional area of the fluid at various levels.

Calculations

The volume calculation is based on the multiplication of the cross-sectional area and the velocity of the fluid in the channel.

$$\text{Volume flow} = \text{Velocity} \times \text{Area}$$

The area for one of the selectable channel shapes is derived from the channel dimensions (width, base or diameter) and the input from the level sensor. For “non-linear” channels, parameters are available to allow the area to be read directly from the level input via a series of correction points.



Displayed Information

The front panel display shows the current values of the input variables and the results of the calculations. A list of the variables for this application and their type (total or rate) is shown at the end of this document.

The instrument can be supplied with a real-time clock for data logging of up to 100 entries of the variables as displayed on the main menu.

Communications

There are two communication ports available as follows:

- RS-232 port
- RS-485 port

The ports can be used for remote data reading, printouts and for initial application loading of the instrument.

Retransmission Outputs

The instrument can re-transmit any main menu variable. The digital outputs can re-transmit totals as pulses. If the instrument has the advanced option, it outputs rates as a 4-20mA signal.

Relay Outputs

The relay alarms can be assigned to any of the main menu variables of a rate type. The alarms can be fully configured including hysteresis. Two relays are standard.

Software Configuration

The instrument can be further tailored to suit specific application needs including units of measurement, custom tags, second language or access levels. A distributor can configure these requirements before delivery.

Instrument parameters including units of measurement can be programmed in the field, according to the user access levels assigned to parameters by the distributor.

All set-up parameters, totals and logged data are stored in non-volatile memory with at least 30 years retention.

Terminal Designations

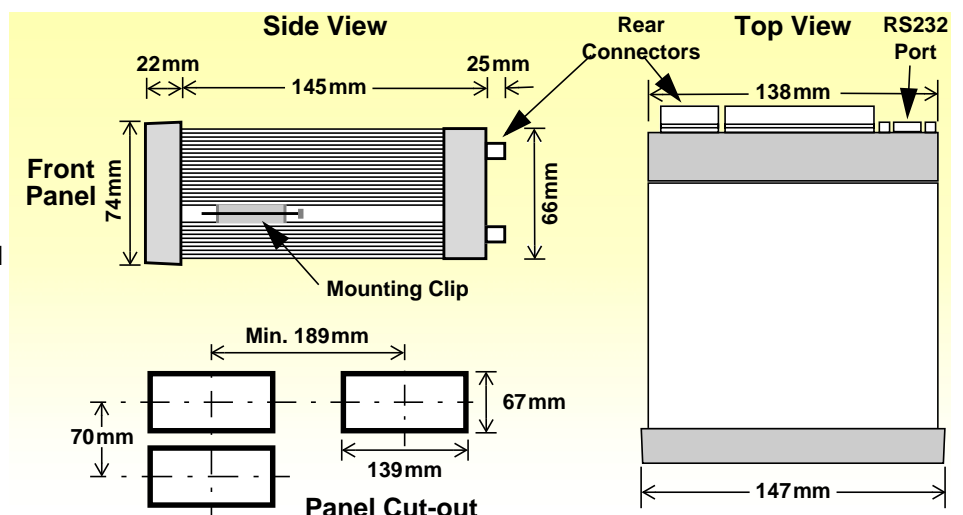
Terminal Label	Designation	Comment
1	+	RS485 (+)
2	-	RS485 (-)
3	G	Comms ground
4	Tx	RS232 data out
5	Rx	RS232 data in
6	C	CTS (Clear to send)
7	Io	4-20mA output
8	SG	Signal Ground 0V
9	Li	Logic input
10	1+	Open collector o/p 1
11	2+	Open collector o/p 2
12	li	4-20mA input
13	SG	Signal Ground 0V
14	Fi	Frequency input
15	Vo	8-24 volts DC output
16	G	DC Ground
17	Vi	DC power input
18	SH	Shield terminal
19	R1	Relay 1
20	RC	Relay Common
21	R2	Relay 2
E	E	Mains ground
N	N	Mains neutral
A	A	Mains active
RS232 port		9-pin serial port

Dimension Drawings

Part Number

505.XXXXXX-FO01
see **Product Codes** to select required features

Default Application software:
505-FO01-000000



Specifications

Operating Environment

Temperature	0°C to +60°C (conformal coating) +5°C to +40°C (no coating)
Humidity	0 to 95% non condensing (conformal coating) 5% to 85% non condensing (no coating)
Power Supply	95-135 V AC or 190-260 V AC or 12-28 V DC
Consumption	6W (typical)
Protection	Sealed to IP65 (Nema 4X) when panel mounted
Dimensions (panel option)	147mm (5.8") width 74mm (2.9") height 167mm (6.6") depth

Display

Type	Backlit LCD with 7-digit numeric display and 11-character alphanumeric display
Digits	15.5mm (0.6") high
Characters	6mm (0.24") high
LCD Backup	Last data visible for 15min after power down
Update Rate	0.3 second

Non-volatile Memory

Retention	> 30 years
Data Stored	Setup, Totals and Logs

Approvals

Interference	CE compliance
Enclosure	IECEX, ATEX and CSA approved enclosures available for hazardous areas

Real Time Clock (Optional)

Battery Type	3 volts Lithium button cell (CR2032)
Battery Life	5 years (typical)

Frequency Input (General)

Range	0 to 10kHz
Overvoltage	30V maximum
Update Time	0.3 sec
Cutoff frequency	Programmable
Configuration	Pulse, coil or NPS input
Non-linearity	Up to 10 correction points

Pulse

Signal Type	CMOS, TTL, open collector, reed switch
Threshold	1.3 volts

Coil

Signal Type	Turbine and sine wave
Sensitivity	15mV p-p minimum

NPS

Signal Type	NPS sensor to Namur standard
--------------------	------------------------------

4-20mA Input

Overcurrent	100mA absolute maximum rating
Impedance	250 Ohms (to common signal ground)
Accuracy	0.1% typical full scale (20°C) 0.2% (full temperature range)
Non-linearity	Up to 20 correction points (flow inputs)

Remote Key Input

Signal Type	CMOS, TTL, open collector, reed switch
Configuration	One input set as one of front five keys

Relay Output

No. of Outputs	2 relays
Voltage	250 volts AC, 30 volts DC maximum
Current	3A maximum

Communication Ports

Ports	RS-232 port RS-485 port
Baud Rate	2400 to 19200 baud
Parity	Odd, even or none
Stop Bits	1 or 2
Data Bits	8
Protocols	Modbus RTU, Printer*

Transducer Supply

Voltage	8 to 24 volts DC, programmable
Current	70mA @ 24V, 120mA @ 12V maximum
Protection	Power limited output

Pulse/Digital Output

Signal Type	Open collector, non-isolated
Switching	200mA, 30 volts DC maximum
Saturation	0.8 volts maximum
Pulse Width	Programmable: 10, 20, 50, 100, 200 or 500ms

4-20mA Output (Optional)

Supply	24 volts DC internal, non-isolated
Resolution	0.05% full scale
Accuracy	0.05% full scale (20°C) 0.1% (full temperature range, typical)

*Important: Specifications are subject to change without notice.
Printer protocol is available only if RTC option is installed.*

Ordering Information

Product Codes

Model	Supplementary Code						Description
505	- FO01						
Enclosure	1						Panel mount enclosure
	2						Field mount enclosure (NEMA 4X / IP66)
	3/5						Explosion proof Ex d (IECEX/ATEX), metric glands (5 specifies heater)
	4/6						Explosion proof Ex d (CSA), NPT glands (6 specifies heater)
Output Options	1						Advanced - Base features of RS232 and RS485 serial ports, 2 relays, 2 pulse outputs, rear key input. Plus 4-20mA o/p and Real-time clock for printer output and logging (100 logs) <i>(Basic option: 0, no longer available)</i>
Extra Options	2						9 way DB connector for RS232 serial port
Power Supply		A					Inputs for 12-28VDC and 110/120 VAC, 50-60Hz
		E					Inputs for 12-28VDC and 220/240 VAC, 50-60Hz
		D					Input for 12-28VDC power only
Display Panel Options		S					Standard option (now with backlight & LCD backup) <i>(original Full option: F, with Infra-Red comms, no longer available)</i>
PCB Protection		C					Conformal coating - required for maximum environmental operating range. Recommended to avoid damage from moisture and corrosion.
		N					None - suitable for IEC standard 654-1 Climatic Conditions up to Class B2 (Heated and/or cooled enclosed locations)
Application Pack Number						FO01	Defines the application software to be loaded into the instrument

Example full product part number is 505.112ESC-FO01 (this is the number used for placing orders).

Main Menu Variables

Main Menu Variables	Default Units	Preferred Units	Variable Type
Volume	m ³		Total
Volume Flowrate	m ³ /h		Rate
Level	m		Rate
Velocity	m/s		Rate
Area	m ²		Rate



500 Series in Ex410 Enclosure

www.contrec.co.uk



Contrec Limited
Riverside, Canal Road
Sowerby Bridge, West Yorkshire
HX6 2AY United Kingdom
Tel: +44 1422 829944
Email: sales@contrec.co.uk

Contrec - USA, LLC
916 Belcher Drive
Pelham, Alabama
AL 35124 United States
Tel: +1 (205) 685 3000
Email: contrec@contrec-usa.com

Contrec Systems Pty Ltd
5 Norfolk Avenue
Ringwood, Victoria 3134
Melbourne Australia
Tel: +61 413 505 114
Email: info@contrec.com.au