

## Application GC04

### General Gas Flow Computer

for Stacked DP Meters  
(ISO 5167 & V-Cones)



### Features

- Tailored for differential pressure meters with single or stacked transmitters
- Calculations based on a variety of General Gas equations
- ISO 5167 (2003) DP flow calculations, 9 meter types
- V-Cone DP flow calculations, 2 cone types
- Selection of second language and user tags
- RTC logging with over 1000 entries
- Programmable pulse width and scaling of pulse output
- 4-20mA retransmission
- RS-232 and RS-485 (optional) serial ports
- Modbus RTU, Printer and other serial port protocols
- Front panel adjustment of 8-24V DC output voltage
- Backlit display



### Overview

The 515 GC04 application measures the volume, corrected volume and mass of a general gas. The instrument uses single or stacked differential pressure meters such as orifice plates, nozzles, venturi tubes or V-Cones as well as temperature and pressure sensor inputs.

The instrument calculates the flow according to the differential pressure equations for the ISO 5167 or V-Cone meters. The flow calculations incorporate the conditions at which the flowmeter was calibrated and accurately account for thermal expansion effects.

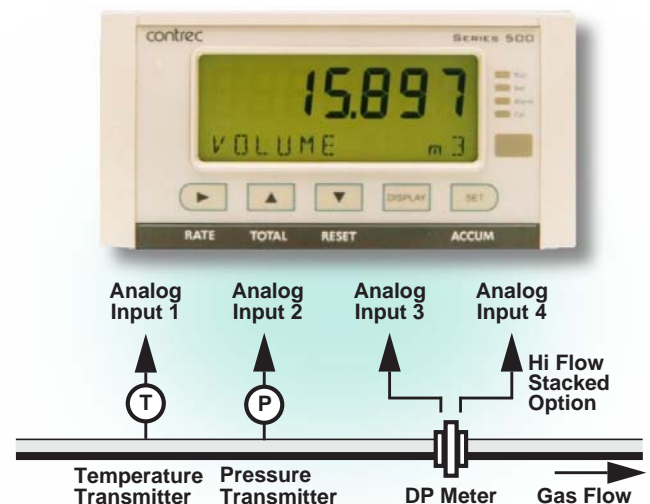
The properties of a gas are calculated using common industry standard equations of state. These equations use a simplified set of parameters to quickly and accurately determine the value of compressibility and actual quantity of gas.

### Calculations

A variety of calculations are available to suit the nature of the gas and the measurement conditions. The calculations are valid for the vapour phase of a gas.

Equations Of State:

- Ideal Gas
- Redlich-Kwong
- Soave-Redlich-Kwong
- Peng-Robinson



## Displayed Information

The front panel display shows the current values of the input variables and the results of the calculations. A list of the variables for this application and their type (total or rate) is shown at the end of this document.

The instrument can be supplied with a real-time clock for data logging of over 1000 entries of the variables as displayed on the main menu.

## Communications

There are two communication ports available as follows:

- RS-232 port
- RS-485 port (optional)

The ports can be used for remote data reading, printouts and for initial application loading of the instrument.

## Isolated Outputs

The opto-isolated outputs can re-transmit any main menu variable. The type of output is determined by the nature of the assigned variable. Totals are output as pulses and rates are output as 4-20mA signals. One output is standard, a second output is available as an option.

## Relay Outputs

The relay alarms can be assigned to any of the main menu variables of a rate type. The alarms can be fully configured including hysteresis. Two relays are standard with additional two relays available as an option.

## Software Configuration

The instrument can be further tailored to suit specific application needs including units of measurement, custom tags, second language or access levels. A distributor can configure these requirements before delivery.

Instrument parameters including units of measurement can be programmed in the field, according to the user access levels assigned to parameters by the distributor.

All set-up parameters, totals and logged data are stored in non-volatile memory with at least 30 years retention.

## Temperature and Pressure Input Types

Temperature sensor input(s) can be either PT100, PT500, 4-20mA, 0-5V or 1-5V signals. Pressure sensor input(s) can be either 4-20mA, 0-5V or 1-5V signals.

## Terminal Designations

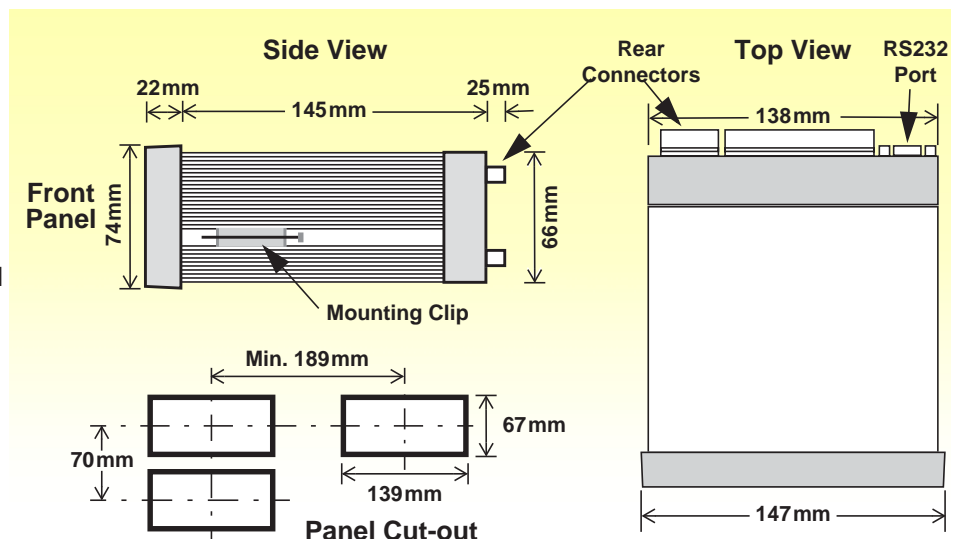
Terminal Label	Designation	Comment
3	SG -	Signal ground
5	EXC V 2+	Excitation Term 2+
7	AINP1 +	Analog Input ch 1 (+)
8	-	Analog Input ch 1 (-)
9	AINP2 +	Analog Input ch 2 (+)
10	-	Analog Input ch 2 (-)
11	AINP3 +	Analog Input ch 3 (+)
12	-	Analog Input ch 3 (-)
13	AINP4 +	Analog Input ch 4 (+)
14	-	Analog Input ch 4 (-)
15	Vo +	8-24 volts DC output
16	G -	DC Ground
17	Vi +	DC power input
18	SH E	Shield terminal
19	+	RS485 (+)
20	-	RS485 (-)
21	G	RS485 ground
22	1+	Switch 1
23	2+	Switch 2
24	3+	Switch 3
25	4+	Switch 4
26	C-	Signal ground
27	OUT1 +	Output ch 1 (+)
28	-	Output ch 1 (-)
29	OUT2 +	Output ch 2 (+)
30	-	Output ch 2 (-)
31	RC	Relay common
32	R1	Relay 1
33	R2	Relay 2
34	R3	Relay 3
35	R4	Relay 4
E	E	Mains ground
N	N	Mains neutral
A	A	Mains active
RS232 port		9-pin serial port

## Dimension Drawings

### Part Number

515.XXXXXX-GC04  
see **Product Codes** to select required features

Default Application software:  
515-GC04-000000



# Specifications

## Operating Environment

<b>Temperature</b>	-20°C to +60°C (conformal coating) +5°C to +40°C (no coating)
<b>Humidity</b>	0 to 95% non condensing (conformal coating) 5% to 85% non condensing (no coating)
<b>Power Supply</b>	100-240 V AC (+/-10%) 50-60 Hz (+/-10%) or 12-28 V DC
<b>Consumption</b>	6W (typical)
<b>Protection</b>	Sealed to IP65 (Nema 4X) when panel mounted
<b>Dimensions (panel option)</b>	147mm (5.8") width 74mm (2.9") height 167mm (6.6") depth

## Display

<b>Type</b>	Backlit LCD with 7-digit numeric display and 11-character alphanumeric display
<b>Digits</b>	15.5mm (0.6") high
<b>Characters</b>	6mm (0.24") high
<b>LCD Backup</b>	Last data visible for 15min after power down
<b>Update Rate</b>	0.3 second

## Non-volatile Memory

<b>Retention</b>	> 30 years
<b>Data Stored</b>	Setup, Totals and Logs

## Approvals

<b>Interference</b>	CE compliance
<b>Enclosure</b>	IECEX, ATEX and CSA approved enclosures available for hazardous areas

## Real Time Clock (Optional)

<b>Battery Type</b>	3 volts Lithium button cell (CR2032)
<b>Battery Life</b>	5 years (typical)

## Analog Input (General)

<b>Overcurrent</b>	100mA absolute maximum rating
<b>Update Time</b>	< 1.0 sec
<b>Configuration</b>	RTD, 4-20mA, 0-5V and 1-5V input
<b>Non-linearity</b>	Up to 20 correction points (some inputs)

## RTD Input

<b>Sensor Type</b>	PT100 & PT500 to IEC 751
<b>Connection</b>	Four Wire
<b>Range</b>	-200°C to 350°C
<b>Accuracy</b>	0.1°C typical (-100°C to 300°C)

## 4-20mA Input

<b>Impedance</b>	100 Ohms (to common signal ground)
<b>Accuracy</b>	0.05% full scale (20°C) 0.1% (full temperature range, typical)

## 0-5 or 1-5 Volts Input

<b>Impedance</b>	10MOhms (to common signal ground)
<b>Accuracy</b>	0.05% full scale (20°C) 0.1% (full temperature range, typical)

## Logic Inputs

<b>Signal Type</b>	CMOS, TTL, open collector, reed switch
<b>Overvoltage</b>	30V maximum

## Relay Output

<b>No. of Outputs</b>	2 relays plus 2 optional relays
<b>Voltage</b>	250 volts AC, 30 volts DC maximum (solid state relays use AC only)
<b>Current</b>	3A maximum

## Communication Ports

<b>Ports</b>	RS-232 port RS-485 port (optional)
<b>Baud Rate</b>	2400 to 19200 baud
<b>Parity</b>	Odd, even or none
<b>Stop Bits</b>	1 or 2
<b>Data Bits</b>	8
<b>Protocols</b>	ASCII, Modbus RTU, Printer*

## Transducer Supply

<b>Voltage</b>	8 to 24 volts DC, programmable
<b>Current</b>	70mA @ 24V, 120mA @ 12V maximum
<b>Protection</b>	Power limited output

## Isolated Output

<b>No. of Outputs</b>	1 configurable output (plus 1 optional)
<b>Configuration</b>	Pulse/Digital or 4-20mA output

## Pulse/Digital Output

<b>Signal Type</b>	Open collector
<b>Switching</b>	200mA, 30 volts DC maximum
<b>Saturation</b>	0.8 volts maximum
<b>Pulse Width</b>	Programmable: 10, 20, 50, 100, 200 or 500ms

## 4-20mA Output

<b>Supply</b>	9 to 30 volts DC external
<b>Resolution</b>	0.05% full scale
<b>Accuracy</b>	0.05% full scale (20°C) 0.1% (full temperature range, typical)

*Important: Specifications are subject to change without notice.  
Printer protocol is available only if RTC option is installed.*

# Ordering Information

## Product Codes

Model	Supplementary Code	Description
515	- GC04	
Enclosure	1	Panel mount enclosure
	2	Field mount enclosure (NEMA 4X / IP66)
	3/5	Explosion proof Ex d (IECEX/ATEX), metric glands (5 specifies heater)
	4/6	Explosion proof Ex d (CSA), NPT glands (6 specifies heater)
Output Options	0	4 logic inputs, 1 isolated output, 2 relays (only relay type 1 is available), RS232 (DB9) communication port
	1	4 logic inputs, 2 isolated outputs, 4 relays, real-time clock data logging, RS232 (DB9) and RS485 communication ports
	2/3	4 logic inputs, 2 isolated outputs, 4 relays, real-time clock data logging, RS232 (DB9) and Ethernet/RF communication ports (not yet available)
Relay Type	1	Electromechanical relays only
	2	2 electromechanical and 2 solid state relays
	3	Solid state relays only (not yet available)
Power Supply	U	Inputs for 12-28VDC and 100-240 VAC, 50-60Hz (Previous Models: A = 110/120 VAC, E = 220/240 VAC)
	D	Input for 12-28VDC power only
Display Panel Option	S	Standard option (now with backlight & LCD backup) (original Full option: F, with Infra-Red comms, no longer available)
PCB Protection	C	<b>Conformal coating</b> - required for maximum environmental operating range. Recommended to avoid damage from moisture and corrosion.
	N	<b>None</b> - suitable for IEC standard 654-1 Climatic Conditions up to Class B2 (Heated and/or cooled enclosed locations)
Application Pack Number	GC04	Defines the application software to be loaded into the instrument

Example full product part number is 515.111USC-GC04 (this is the number used for placing orders).

## Main Menu Variables

Main Menu Variables	Default Units	Preferred Units	Variable Type
Volume	m <sup>3</sup>		Total
Volume Flowrate	m <sup>3</sup> /min		Rate
Corrected Volume	m <sup>3</sup>		Total
Corrected Flowrate	m <sup>3</sup> /min		Rate
Mass	kg		Total
Mass Flowrate	kg/min		Rate
Temperature	Deg C		Rate
Pressure	MPa		Rate
Differential Pressure	kPa		Rate
Reynolds Number	E+3		Rate
Compressibility Factor	- - -		Rate



500 Series in Ex410 Enclosure

[www.contrec.co.uk](http://www.contrec.co.uk)



**Contrec Limited**  
Riverside, Canal Road  
Sowerby Bridge, West Yorkshire  
HX6 2AY United Kingdom  
Tel: +44 1422 829944  
Email: sales@contrec.co.uk

**Contrec - USA, LLC**  
916 Belcher Drive  
Pelham, Alabama  
AL 35124 United States  
Tel: +1 (205) 685 3000  
Email: contrec@contrec-usa.com

**Contrec Systems Pty Ltd**  
5 Norfolk Avenue  
Ringwood, Victoria 3134  
Melbourne Australia  
Tel: +61 413 505 114  
Email: info@contrec.com.au